

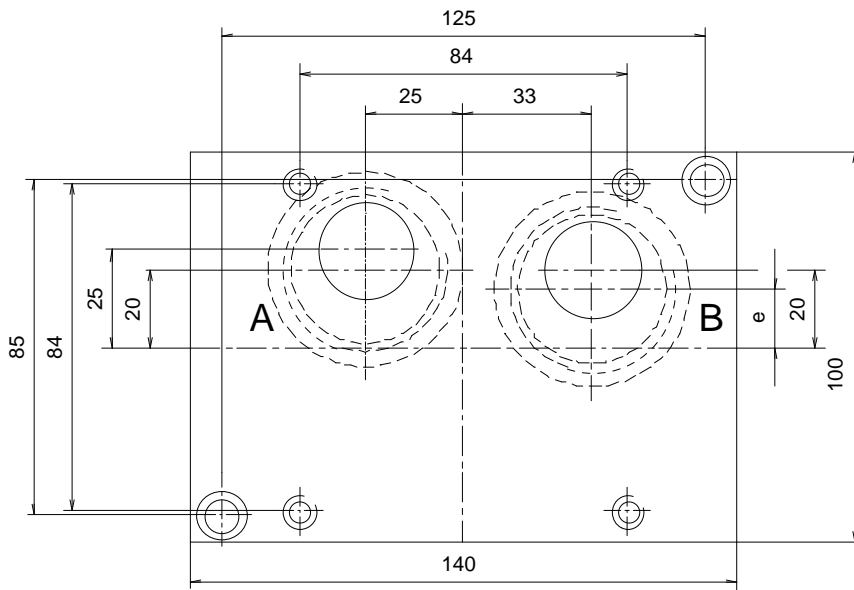
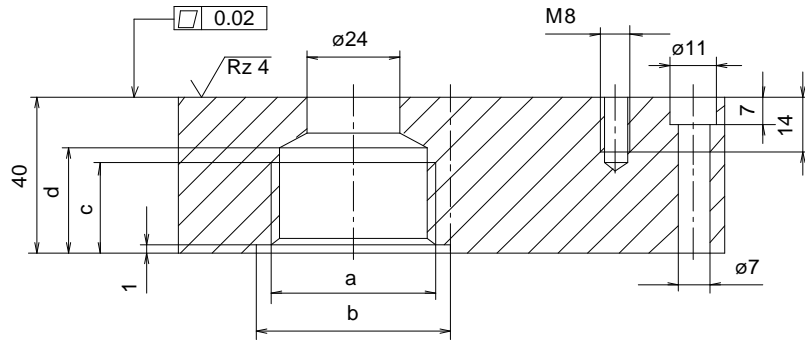
CONNECTING PLATE

With mounting surface according to Schiedrum – internal norm NG 24
for 2-Way-flow control valve

Type

AP

9-74-201-0004



Measuring (mm)		
a	G 1	G 1 ¼
b	40	50
c	19	21
d	24	25
e	20	15
Weight (kg)		
	3,9	3,7
Material: steel		

Name

Connecting plate

G1

44-201-00007

Connecting size and Order- No.:

G 1 44-201-00007

G 1 1/4 44-201-00008