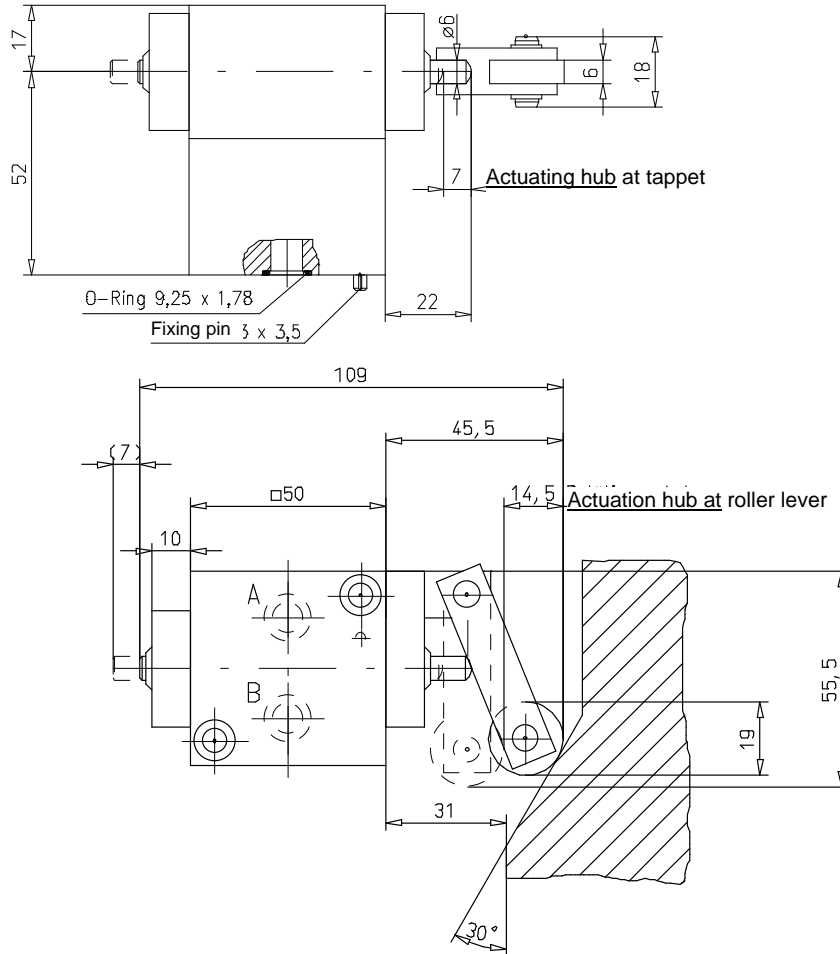


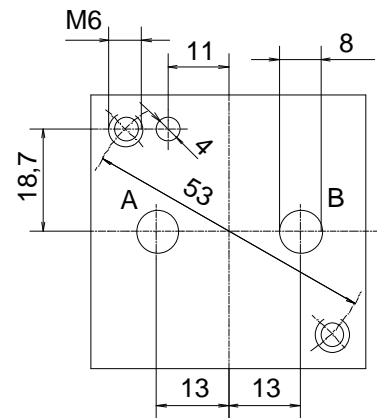
2-way flow control valves are flow valves (throttle valves) with integrated pressure balance. The valves control an adjustable volume flow independently of pressure modification in the inlet or outlet line automatically to obtain a constant value.

FEATURES

- 7 rated volume flow ranges
- valve neutral valve: closed or open
- volume flow tapped guide: progressive
- Assembly on connection plates with pipe joints or control block
- with or without by-pass check valve
- Standard sealing material Buna N (NBR), other materials possible
- for the volume flow control in both flow directions, volume flow rectifier intermediate plate valve type 71 are available upon request



Mounting surface



ORDER INFORMATION

The scope includes the O rings at the mounting surface of the valve two fastening screws M6 x 70 DIN 912 -10.9 (M_A = 12.5 Nm)

Name — **2-Way-flow control valve 23 A 16 G T M15**

Type series

Series code letter

Rated volume flow: in l/min: **1; 1.6; 2.5; 4; 6.3; 10; 16**

Valve function: **G** = closed neutral position; **O** = open neutral position

Type of actuation: **T** = with lever; **without** = without Code

Supplementary data for special models

e.g. special Viton sealings (FKM) = **M 15**

-without bypass check valve = **M40**

ACCESSORY

connection plates:

see dimension sheet

9-74-020-0047

Flow rectifier plates:

see dimension sheet

71BZ (9-74-071-1004)

